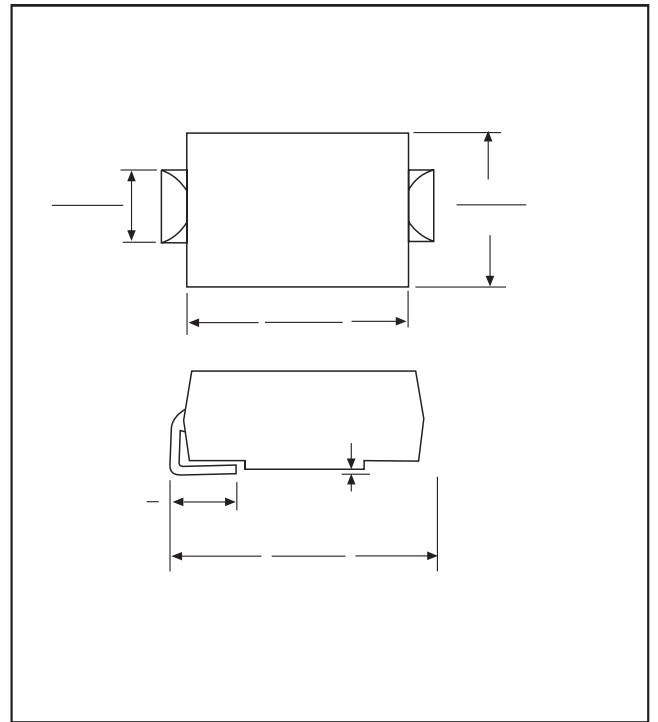
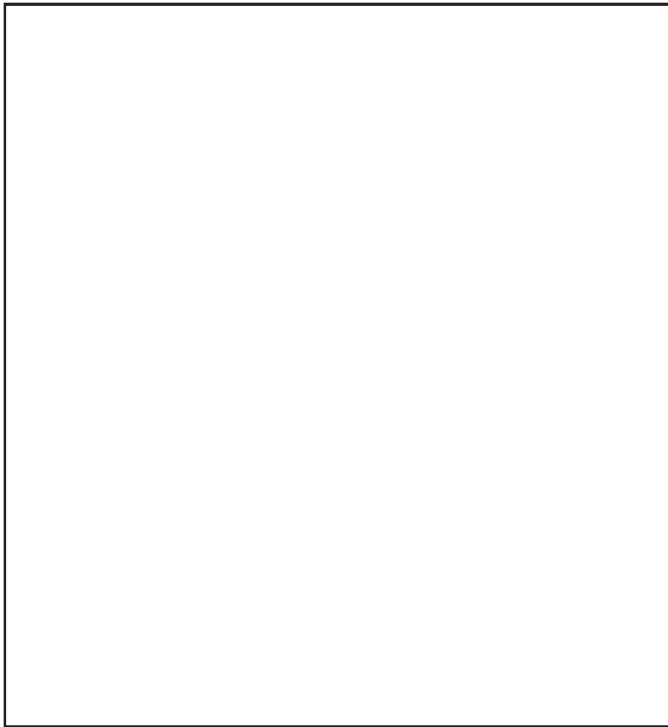


60\$ 3/\$676&/, & 2\$ (& 7, ), (56



0\$; ,080 5\$7,1\*6 \$1' & +\$5\$&7(5,67, & 6

# f&\$ PELH7G WSHUDXQQRHWKHUZRWHG

